

S02-APPARATUS



Digestion unit with infrared technology and modern control. Especially developed for boiling and distillation process with subsequent quantitative determination of sulphur dioxide content based on Monier-Williams method. Proven C. Gerhardt technology based on the TURBOTHERM TTs rapid digestion unit. Rapid and consistent heating by means of infrared technology.

Scope of delivery TURBOTHERM TTs basic unit
S02 attachment with all glass parts,
insert rack, digestion tubes
and tubing set

S02-APPARATUS

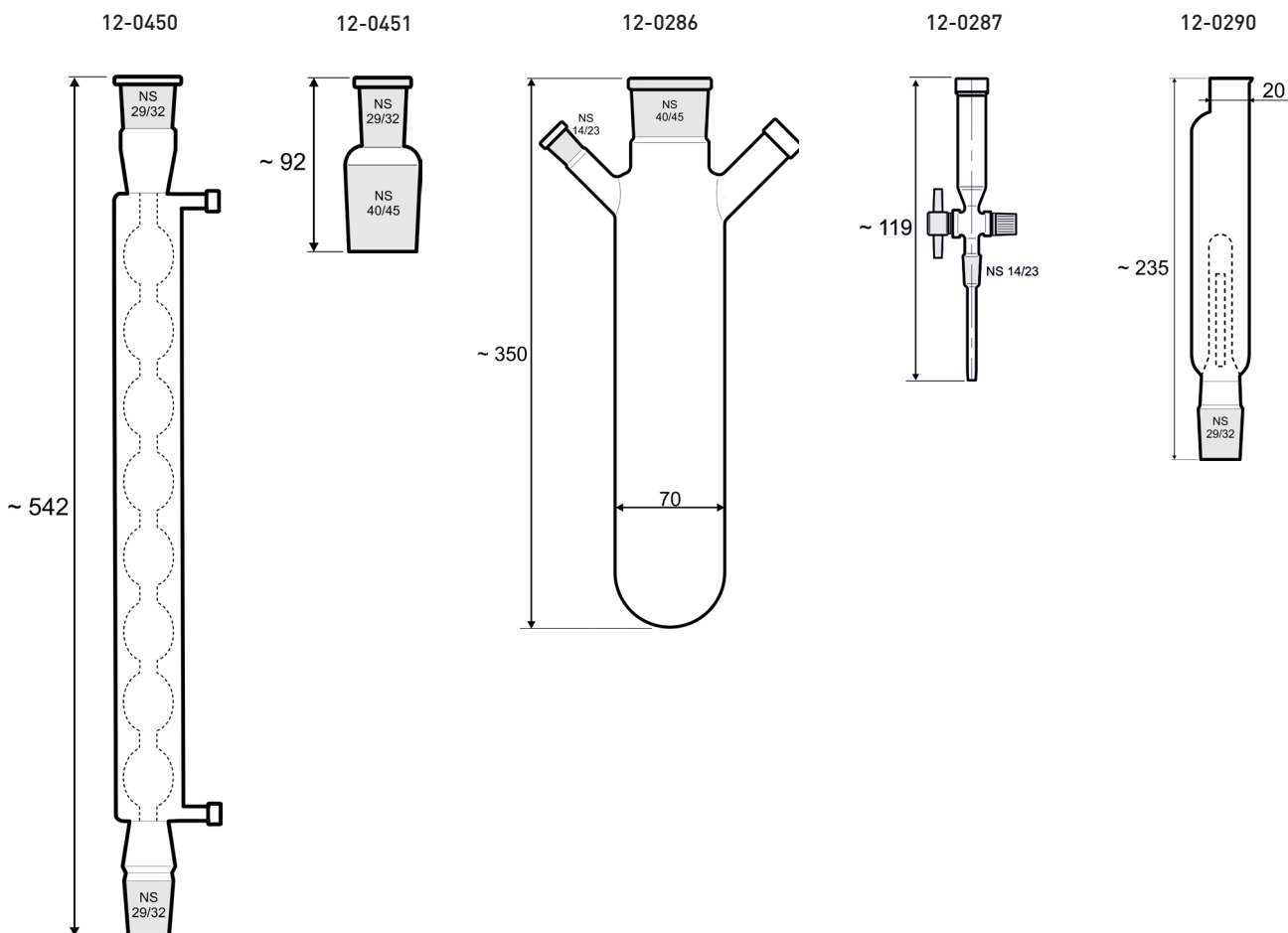
Type	TT S02
TECHNICAL DATA	
Heating places	4
Size of tubes [ml]	800
Temperature max. [°C]	approx. 650
Programs ¹⁾	99 ¹⁾
Time of analysis, complete [min]:	approx. 150 min, for 1 - 4 samples simultaneously
Volume flow adjustable:	10 - 100 l/h
Nominal wattage [W]	2000
Dimensions B / T / H [mm]	636 / 510 / 1200
Weight [kg]	approx. 35,5
Nominal voltage [V]	230
Current [A]	9,0
Frequency [Hz]	50/60
SCOPE OF DELIVERY	
TURBOTHERM TTs basic unit	1 x
Insert rack EG480	1 x
Digestion tube 800 ml with NS45	4 x
Dropping funnel	4 x
Absorption trap	4 x
Reflux condenser	4 x
Tubing set	1 x
ORDER INFORMATION	
Version 230 V	12-0640

1) each program is available with 40 different heating steps that have programmable times and heating capacities

Accessories

Order Number	Description
12-0450	Bulb condenser, L=400mm, with 2 x NS29/32
12-0451	Transition/reduction pieces, glass, from NS 0/45 to NS 29/32
12-0286	Digestion tube AGC, with NS45, 800 ml
12-0287	Dropping funnel TRC glass, für TURBOTHERM-Einheit Cyanid
12-0290	Cooling trap, glass, 100 ml, with NS29, upper opening 20 mm
1000502	PVC tube 10/14
1002447	PTFE gas inlet tube formed 4 x 6,500 lg
1007314	Drip tray, stainless steel
12-0272	Insert rack EG480, for 4 x 800ml glasses
10-0057	Mains cable 230 V AKE, 3 x 1,0 mm ² , rubber-coated, 1,5 m
1002243	Mains cable 115 V, 2,0 m

Further accessories and consumables on request.



Presented by: